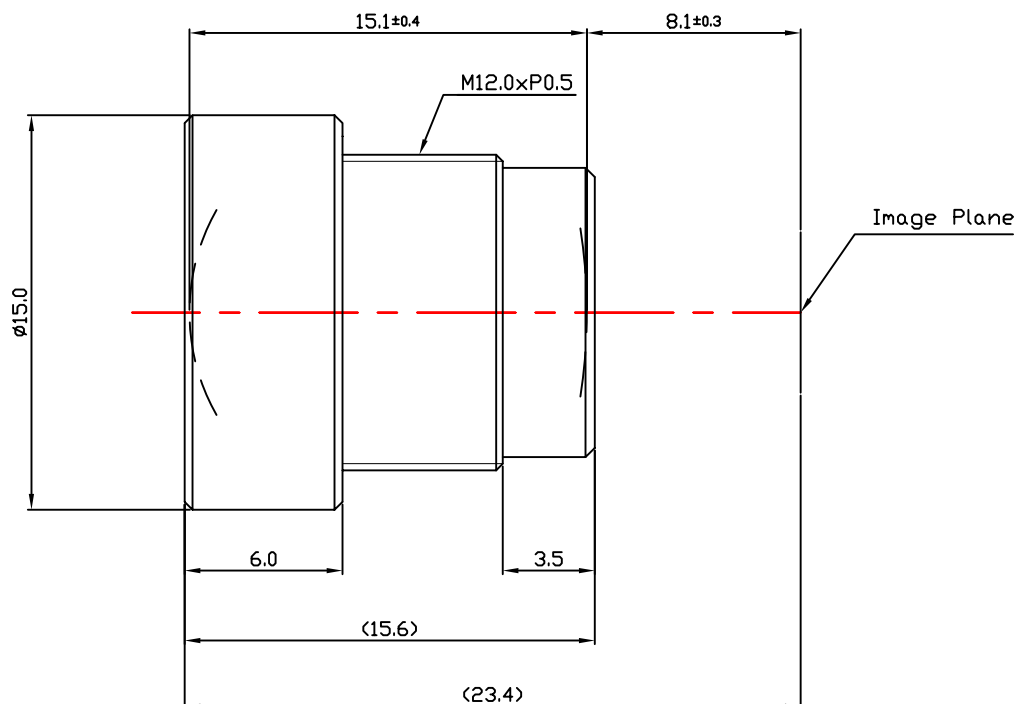


Model : M58B-1000

DATE :11.10.07

Model NO.	M58B-1000	Entrance Pupil Diameter	∅3.38	
		Entrance Pupil Position	3.71	
Focal Length	6.0	Exit Pupil Diameter	∅14.98	
		Exit Pupil Position	-26.9	
F - Number	1.8	Back Focal Length	8.1 In Air	
Sensor Size	1/3"(1/4")	Mechanical BFL	7.8 In Air	
Operation	Iris	Fixed	Mount Type	Board Type
	Focus	40cm ~ ∞	Dimensions	∅ 15.0 x 15.6
Objective Dimension at M . O . D .		-	Weight	5.0g
Angle of View	D	1/3"(1/4")	58°(46°)	Remarks Elements : 4Glass
	H		46°(34°)	
	V		34°(26°)	

Dimensions



* Subject to change Without notice