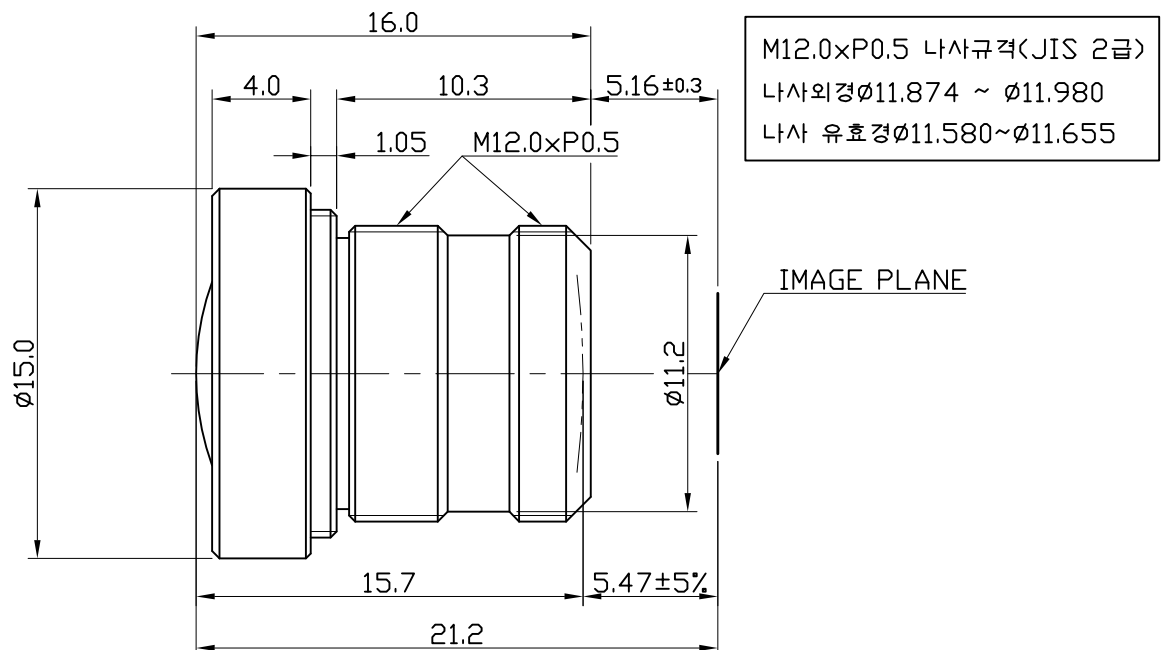


# Model : M30B-2000

Model NO.	M30B-2000		Entrance Pupil Diameter	∅ 1.51			
			Entrance Pupil Position	4.16			
Focal Length	3.0		Exit Pupil Diameter	∅ 7.28			
			Exit Pupil Position	-14.46			
F - Number	2.0		Back Focal Length	5.47±5% In Air			
Sensor Size	1/2.7" CMOS		Mechanical BFL	5.16±0.3 In Air			
Operation	Iris	Fixed		Mount Type	Board Type		
	Focus	40cm ~ ∞		Dimensions	∅ 15.0 x 16.0		
Objective Dimension at M . O . D .		-		Weight	-		
Angle of View	D	1/2.7"	-	1/2.8"	131°	1/2.9"	124°
	H		-		99°		105°
	V		-		72°		56°
Sensor size		5.76 x 3.24(D:6.609)		5.12 x 3.84(D:6.4)		5.376 x 3.024(D:6.168)	
<b>Remarks</b> 3.0Mega Pixel OLPF : 1.8t , Cover glass 0.7t Lens Construction : 5 Components 6 Elements							

### Dimensions



\* Subject to change Without notice