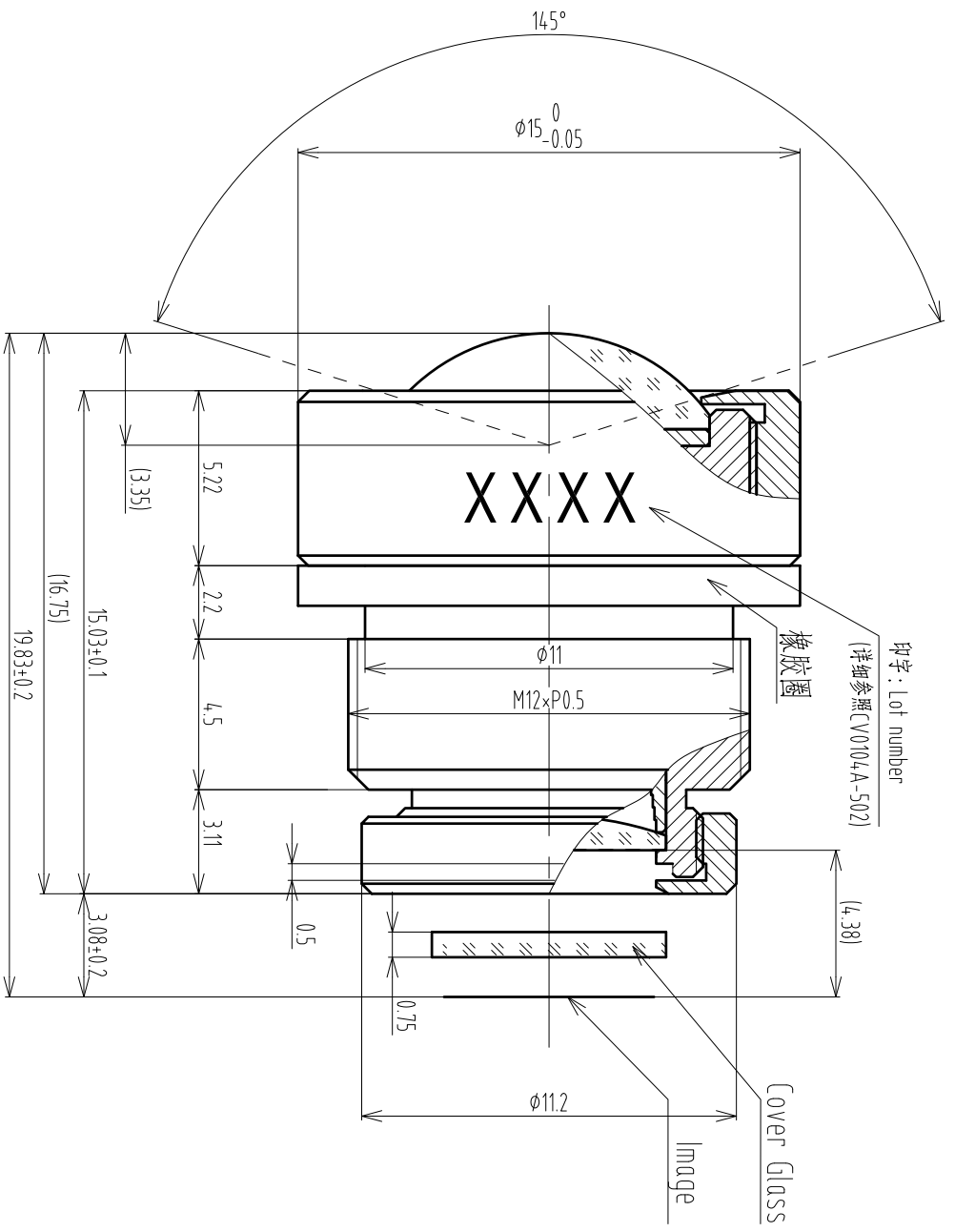


| Main Specification | | |
|---|------------|-------|
| Sensor | 1/3 | |
| Max image | φ6.3 | |
| F/# | 2 | |
| EFL | 2.14 | |
| FOV(°) | H | 120.6 |
| | V | 95.5 |
| | D | 14.5 |
| FFL(IR cut(t=0.5)in + Cover glass(t=0.75)in) | 3.08±0.2 | |
| BFL(IR cut(t=0.5)in + Cover glass(t=0.75)in) | 4.38 | |
| TTL | 19.83±0.2 | |
| TV Distortion | <-22.4%(D) | |
| Structure | 6G+IR | |
| IMAGE QUALITY | | |
| AXIS | 80lp/mm | |
| φ4.5 | 63lp/mm | |
| SURFACE QUALITY | | |
| Center | 60-40 | |
| Margin | 60-40 | |



| TOLERANCE: | | 三角法 | | 材料(环保) | | 单位 | | 比例 | |
|----------------------|----------------|-------|----|--------------|----|-----|----|-----|----|
| LINEARITY TOLERANCES | +0.05 | | | CV0104D规格图 | mm | 5:1 | 页码 | 1/1 | 版本 |
| ANGULAR TOLERANCES | ARE±30° | | | | | | | | |
| DRAFT ANGLES | AREA±0.5°/SIDE | | | | | | | | |
| 设计 | | 名称 | 代号 | CV0104D-SPEC | 版本 | V0 | | | |
| 校对 | | 审核 | | | | | | | |
| 批准 | | 批准 | | | | | | | |
| 变更日期 | | 变更日期 | | | | | | | |
| 担当 | | 担当 | | | | | | | |
| 更改文件号 | | 更改文件号 | | | | | | | |
| 处数 | | 处数 | | | | | | | |
| 标记 | | 标记 | | | | | | | |